

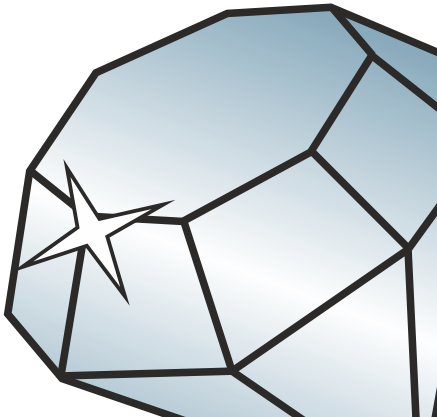
Elegance Roof

Section Identification Guide

Pitched Section - For Tiled Roofs



Flat Section - For Flat Roofs



Contents

Outer Frames - Pitched Roofs	3
Outer Frames - Flat Roofs	4
Sash & Extras	5
Fixing Skirt - For Pitched Roofs	6

Sections

Pitched Roof - Manual	7
- Electric	8
Flat Roof - Manual	9
- Electric	10

Finishing Examples

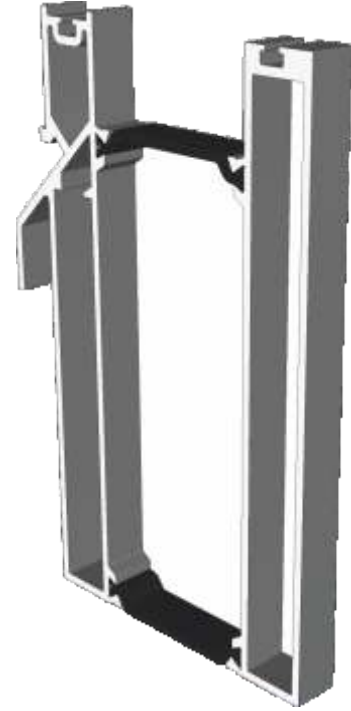
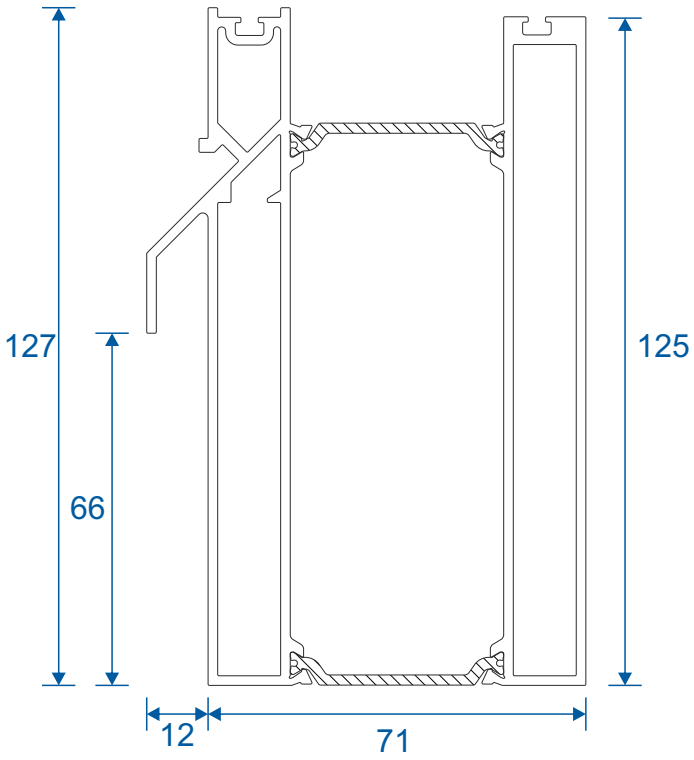
Pitched Roof - Manual & Electric	11
Flat Roof - Manual & Electric	12

Sizing

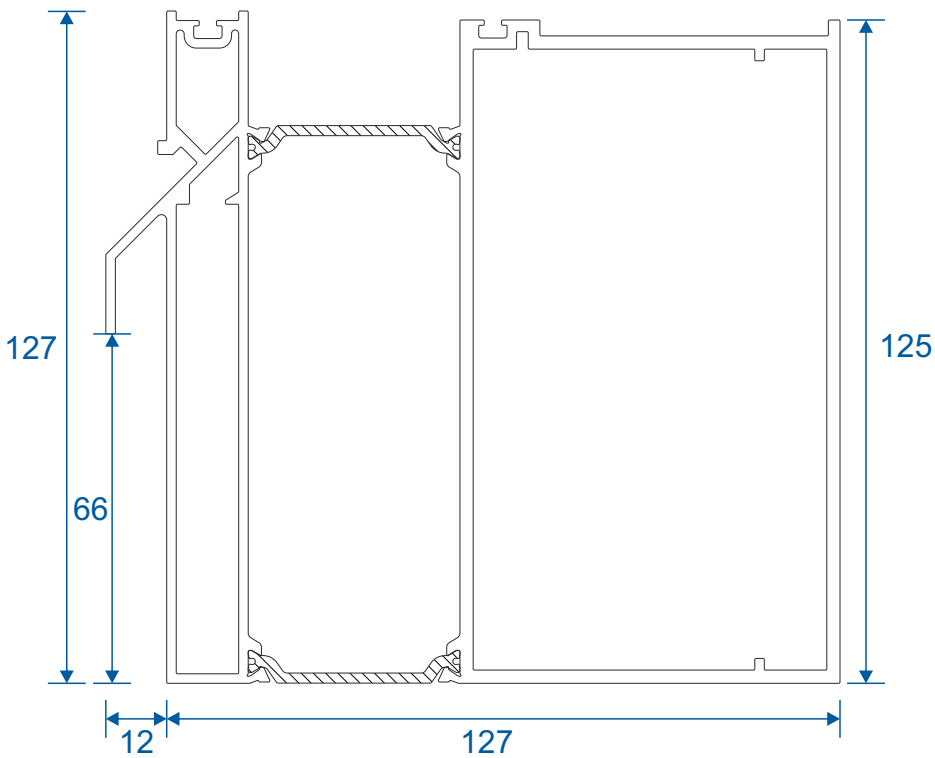
Pitched Roof - Manual & Electric	13
Flat Roof - Manual & Electric	14

Outer Frames - On Pitched Roofs

SKL 003-004 - For Manual Opener

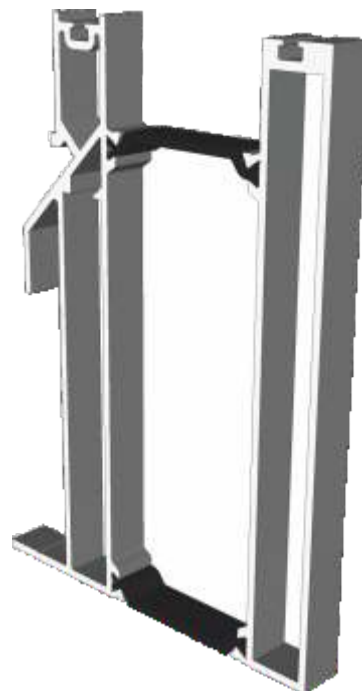
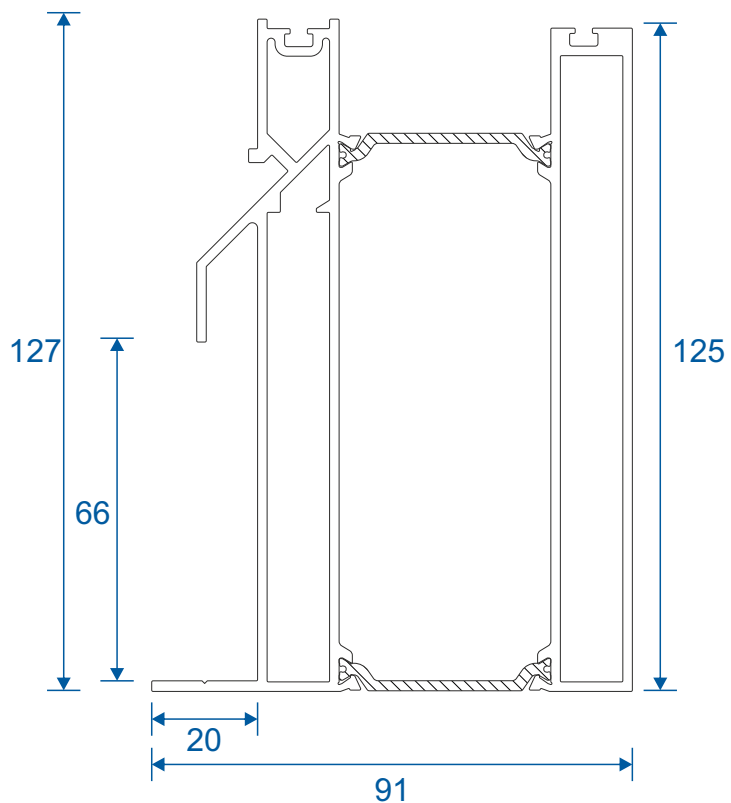


SKL 003-005 - For Electric Opener

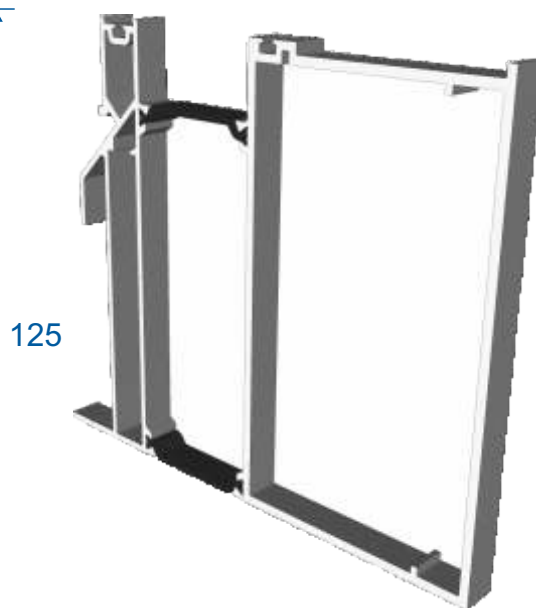
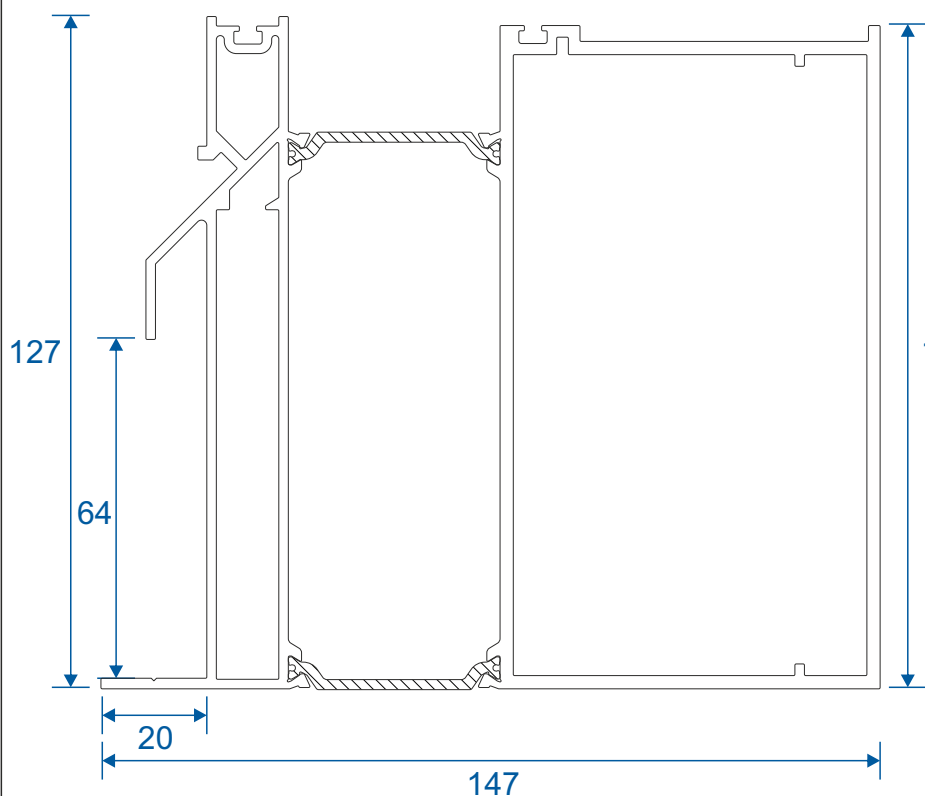


Outer Frames - On Flat Roofs

SKL 006-004 - For Manual Opener

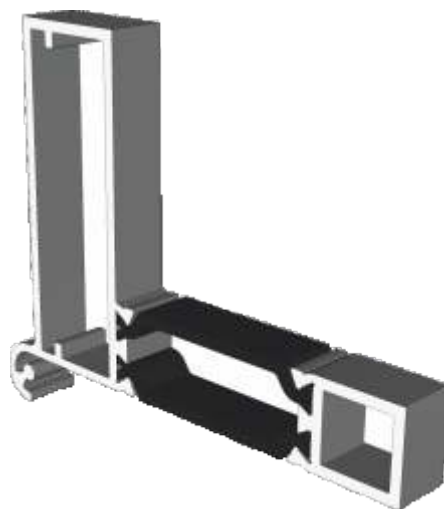
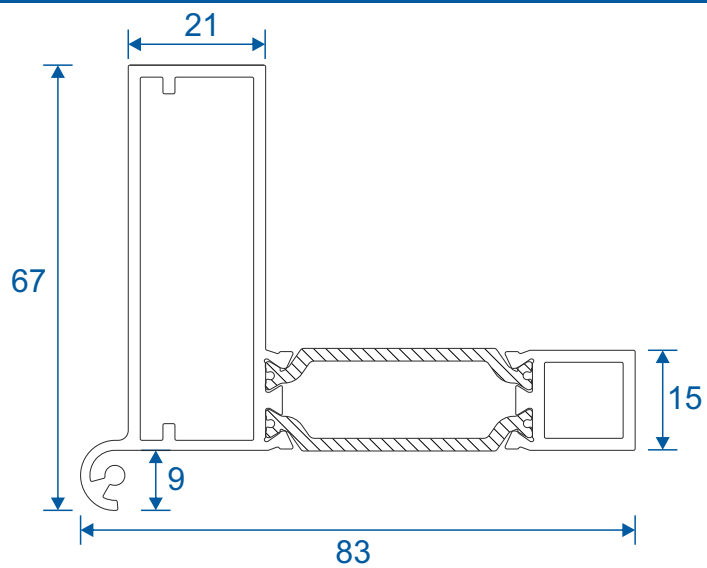


SKL 006-005 - For Electric Opener

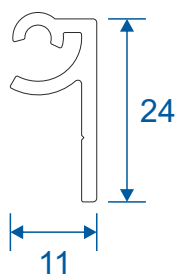


Sash & Extras

SKL 001-002 - Sash

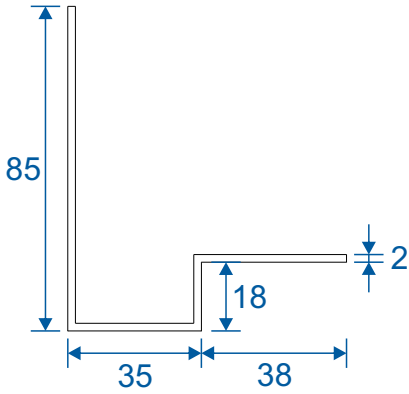


SKL 007 - Sash Hinge

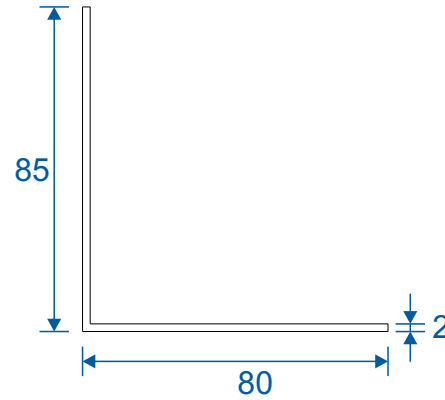


Fixing Skirt - Optional For Pitched in Tiled Roofs Only

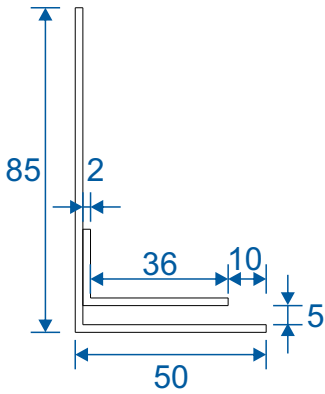
Top



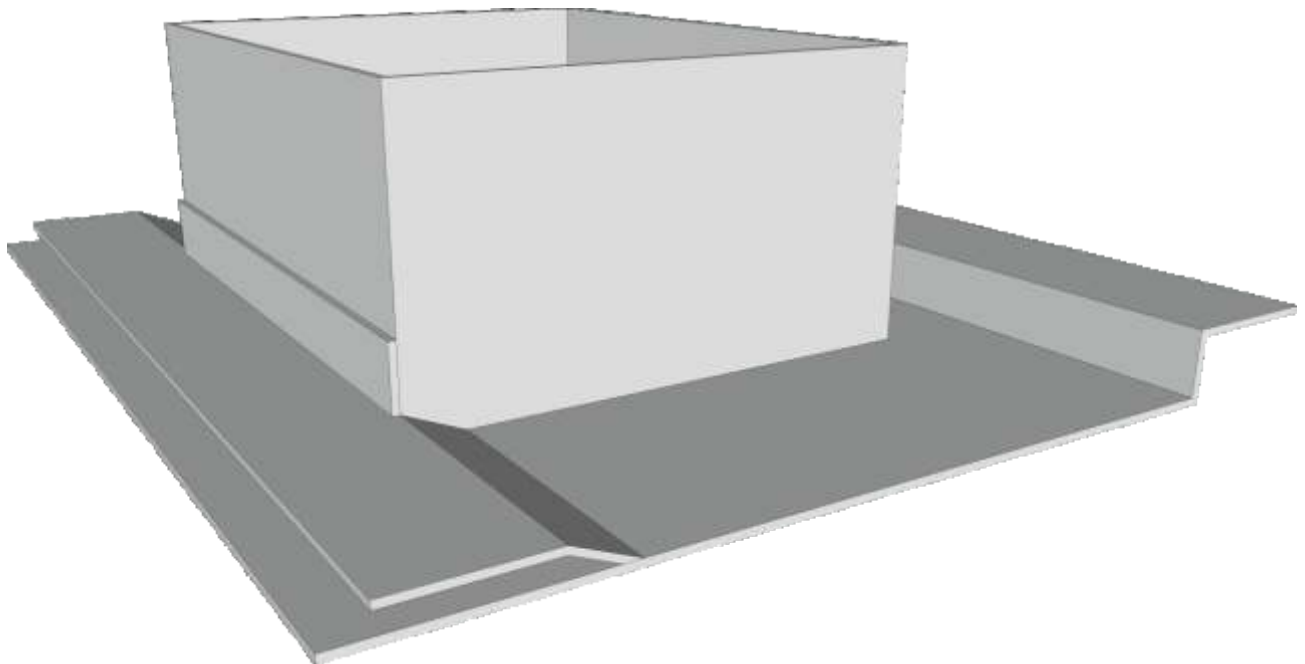
Sides



Bottom

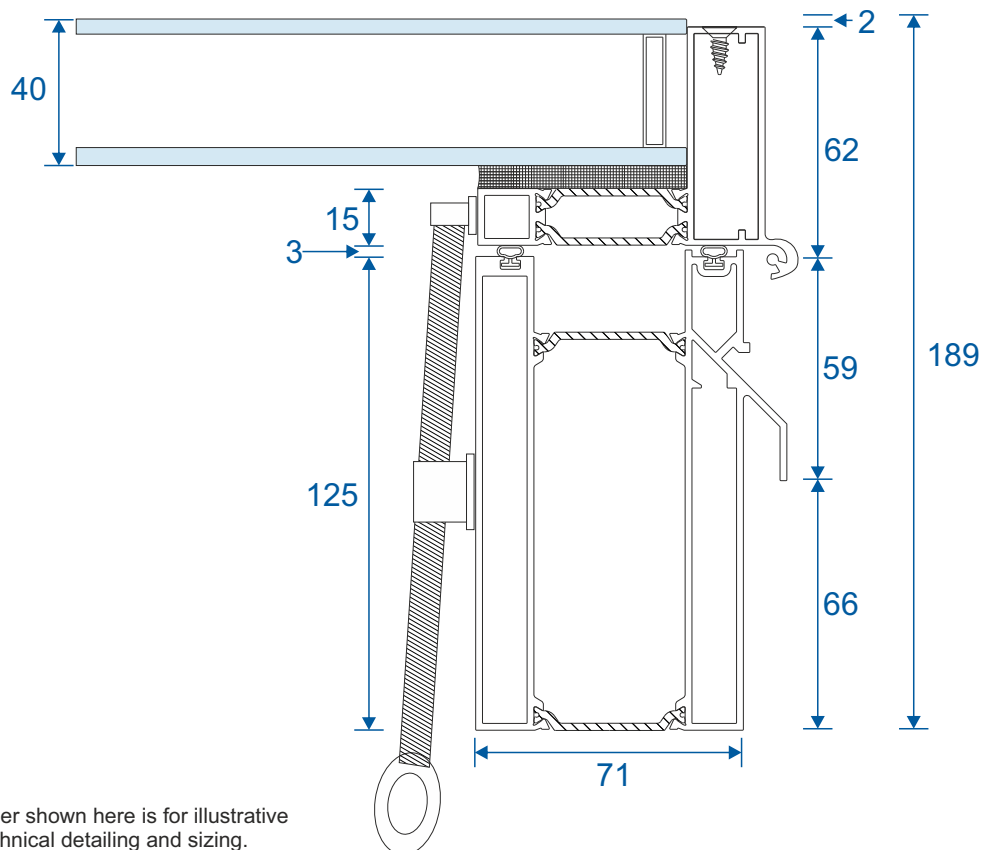
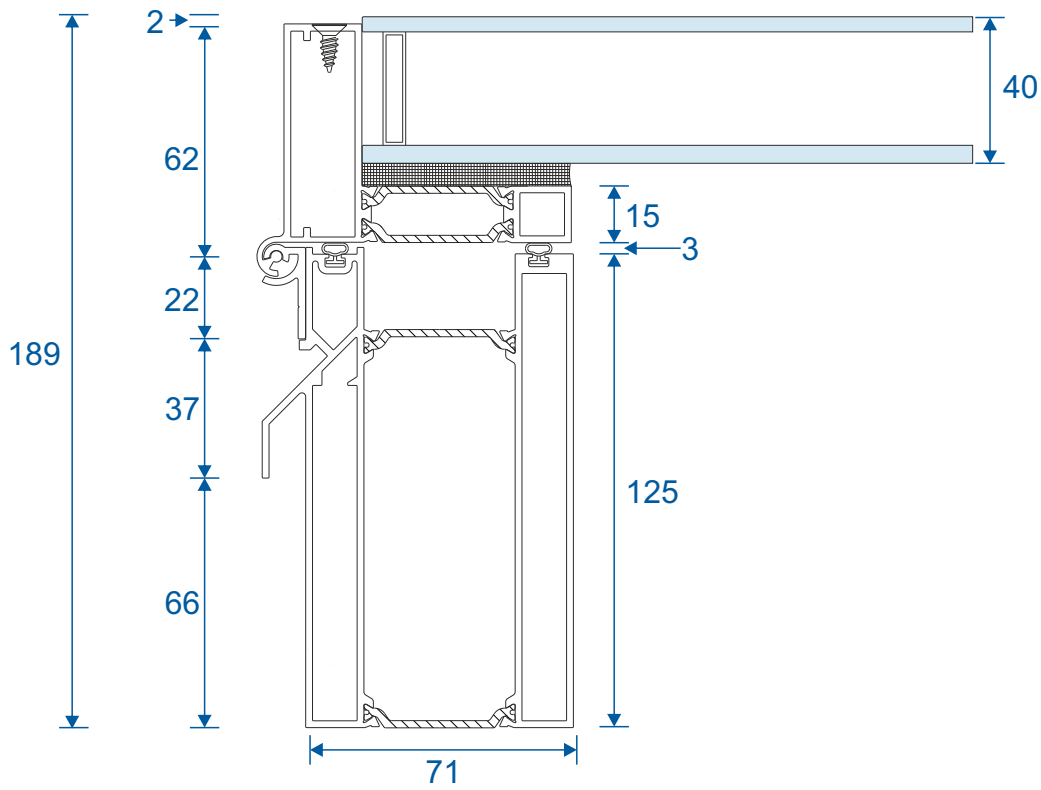


Scaled Down Sample Of The Skirt When Made Up



Pitched Roof

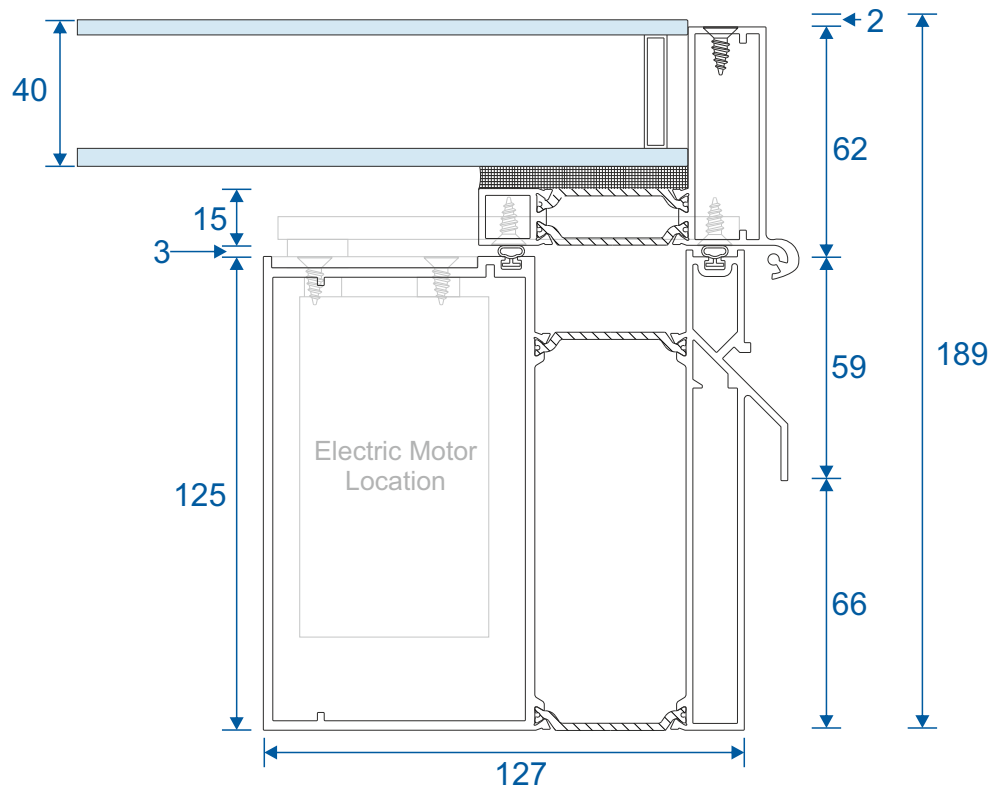
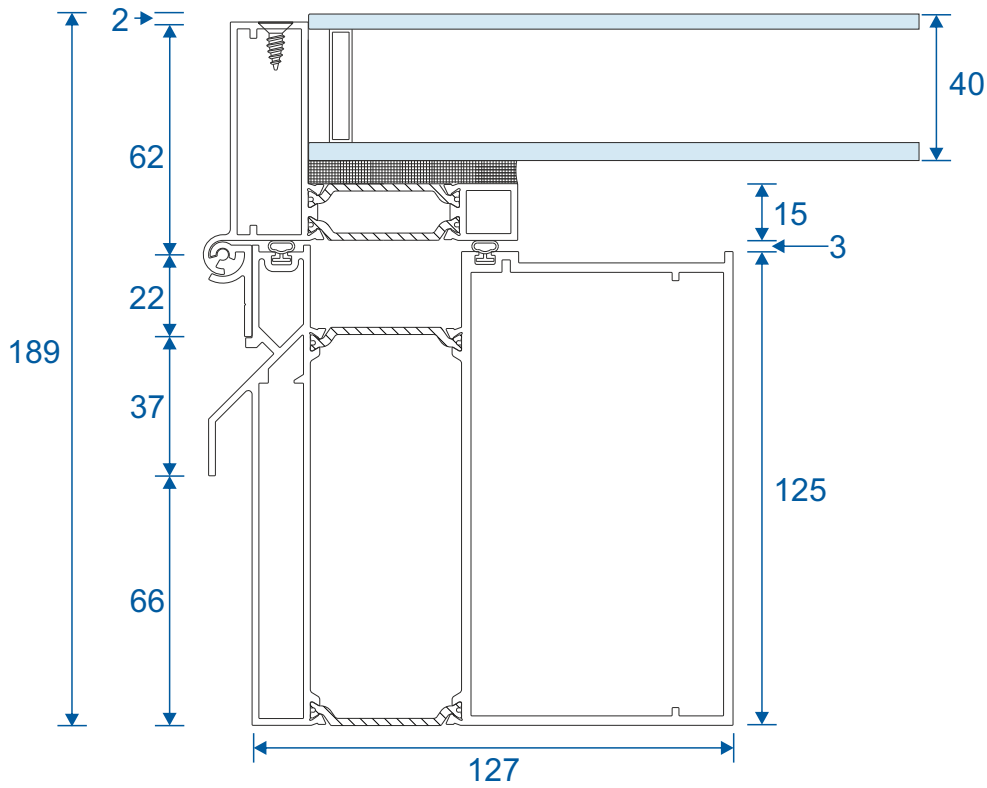
Manual Opener



Please note that the manual opener shown here is for illustrative purposes and is not binding in technical detailing and sizing.

Pitched Roof

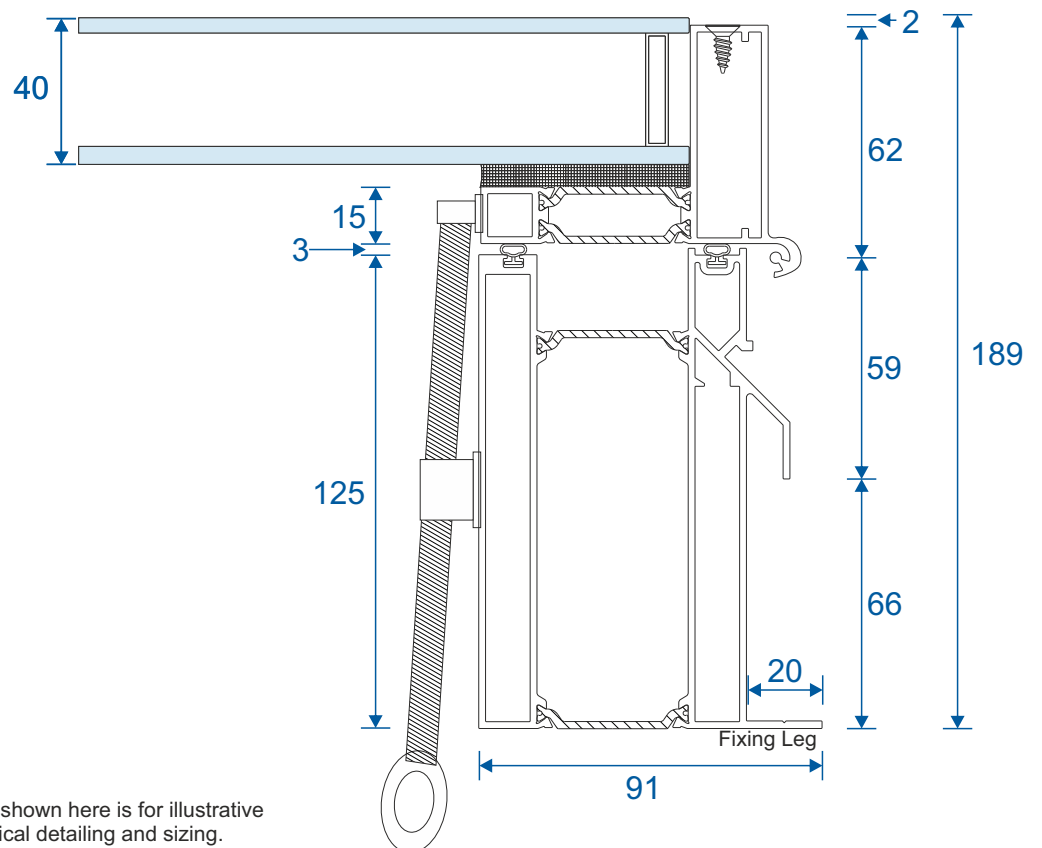
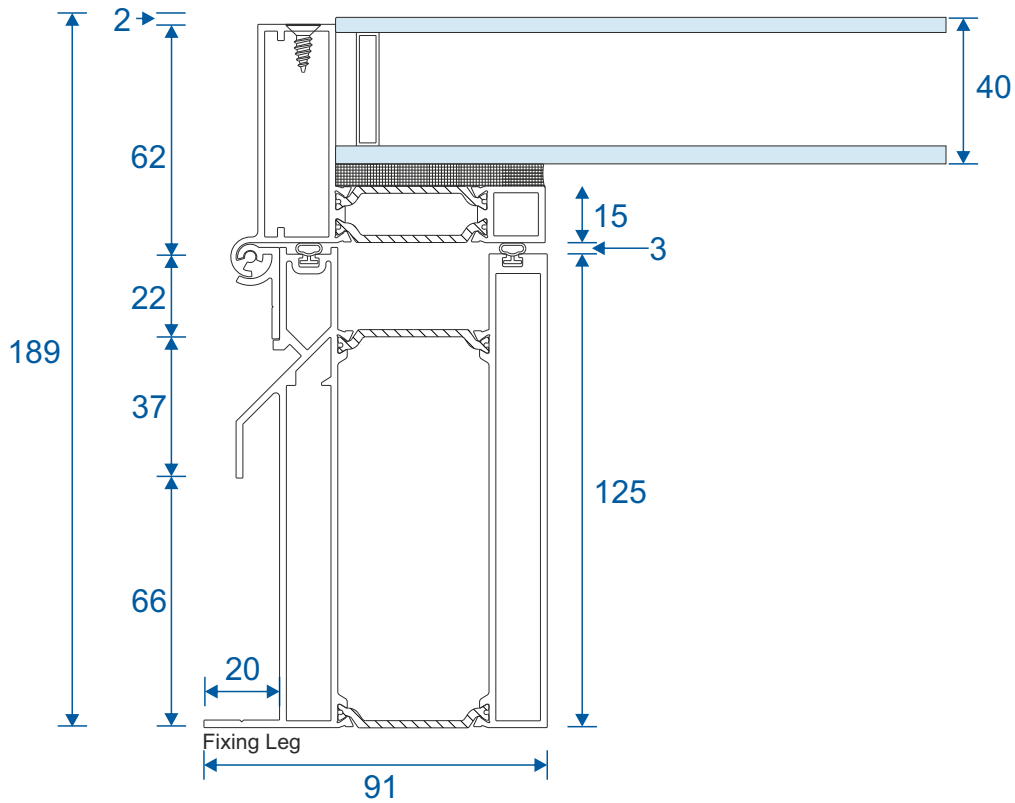
Electric Opener



Please note that the electric motor shown here is for illustrative purposes and is not binding in technical detailing and sizing.

Flat Roof

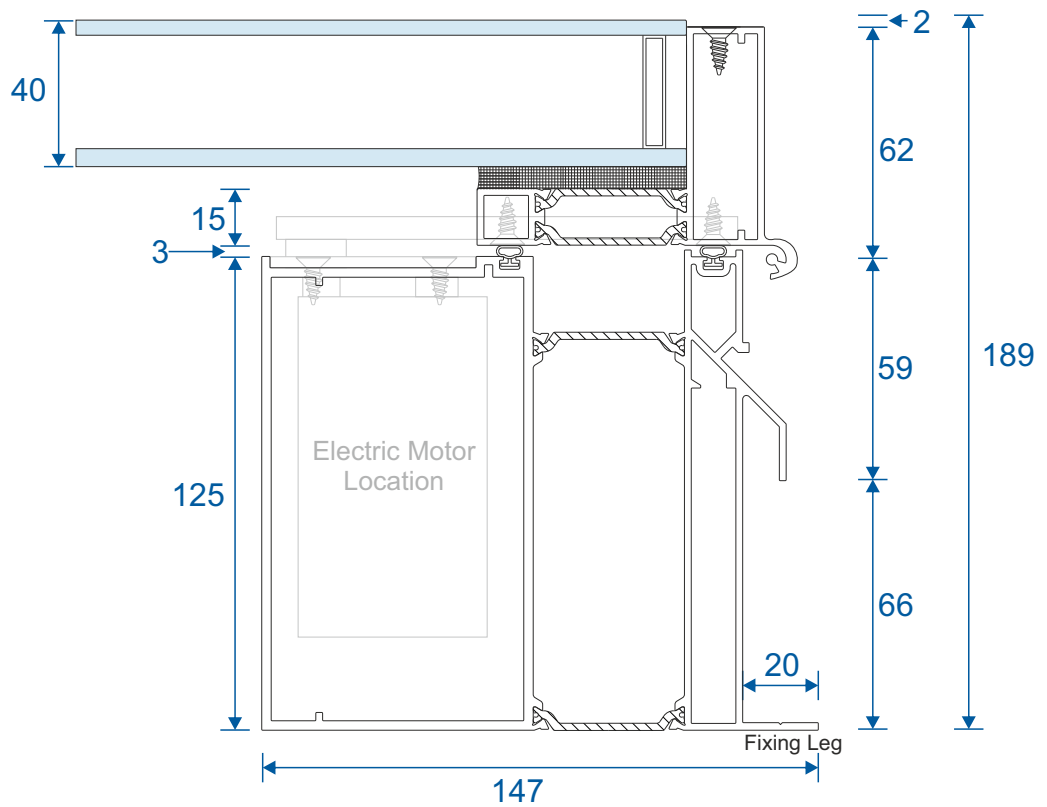
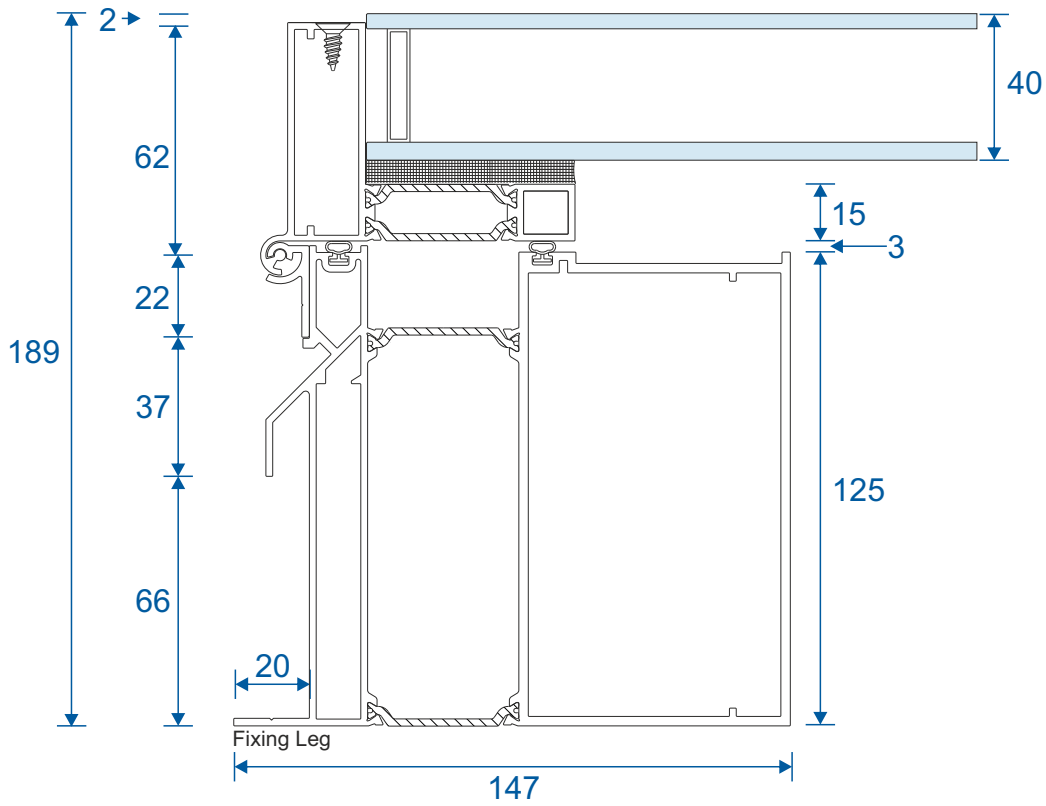
Manual Opener



Please note that the manual opener shown here is for illustrative purposes and is not binding in technical detailing and sizing.

Flat Roof

Electric Opener

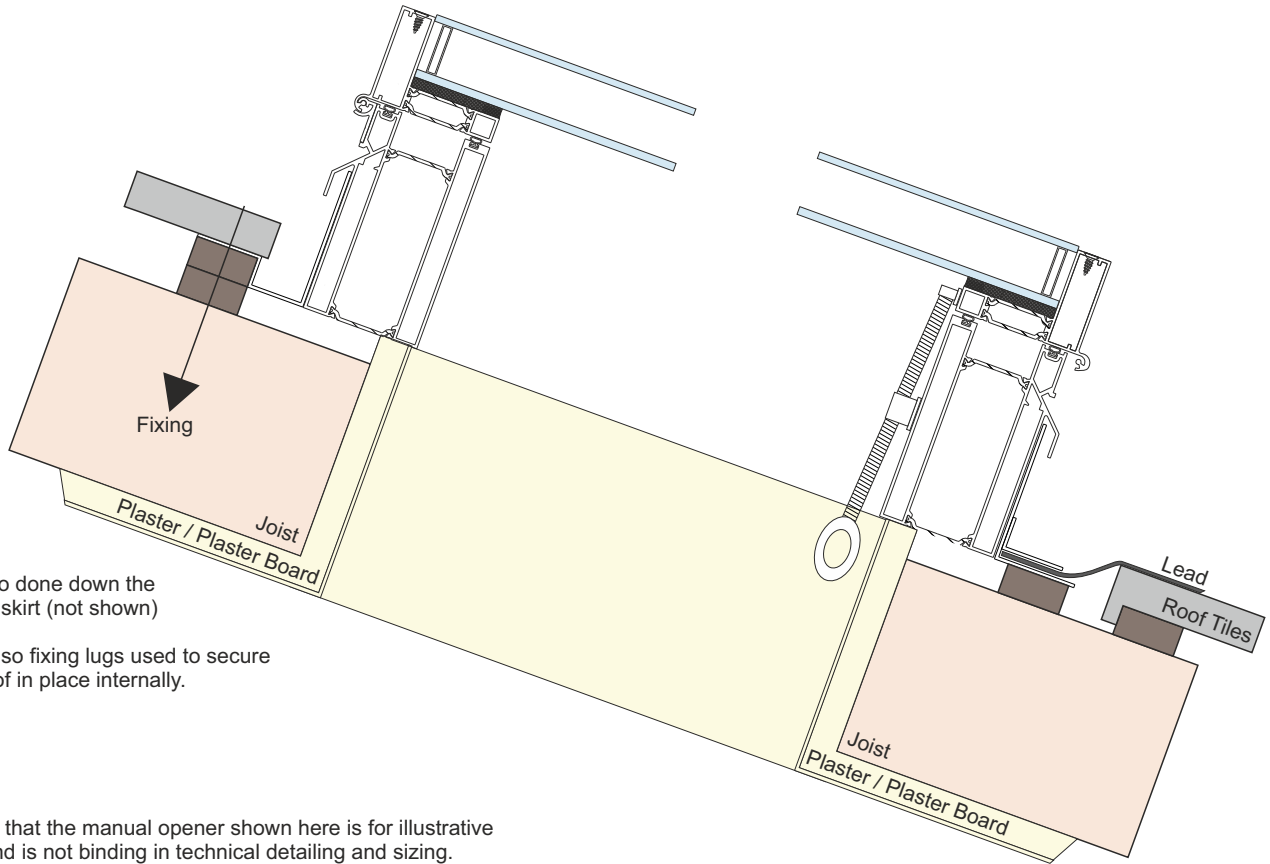


Please note that the electric motor shown here is for illustrative purposes and is not binding in technical detailing and sizing.

Finishing Example

Below is only an example of the finishing.
All finishing is supplied by others.
Please consult your installer or roofer.

Pitched Manual Opener

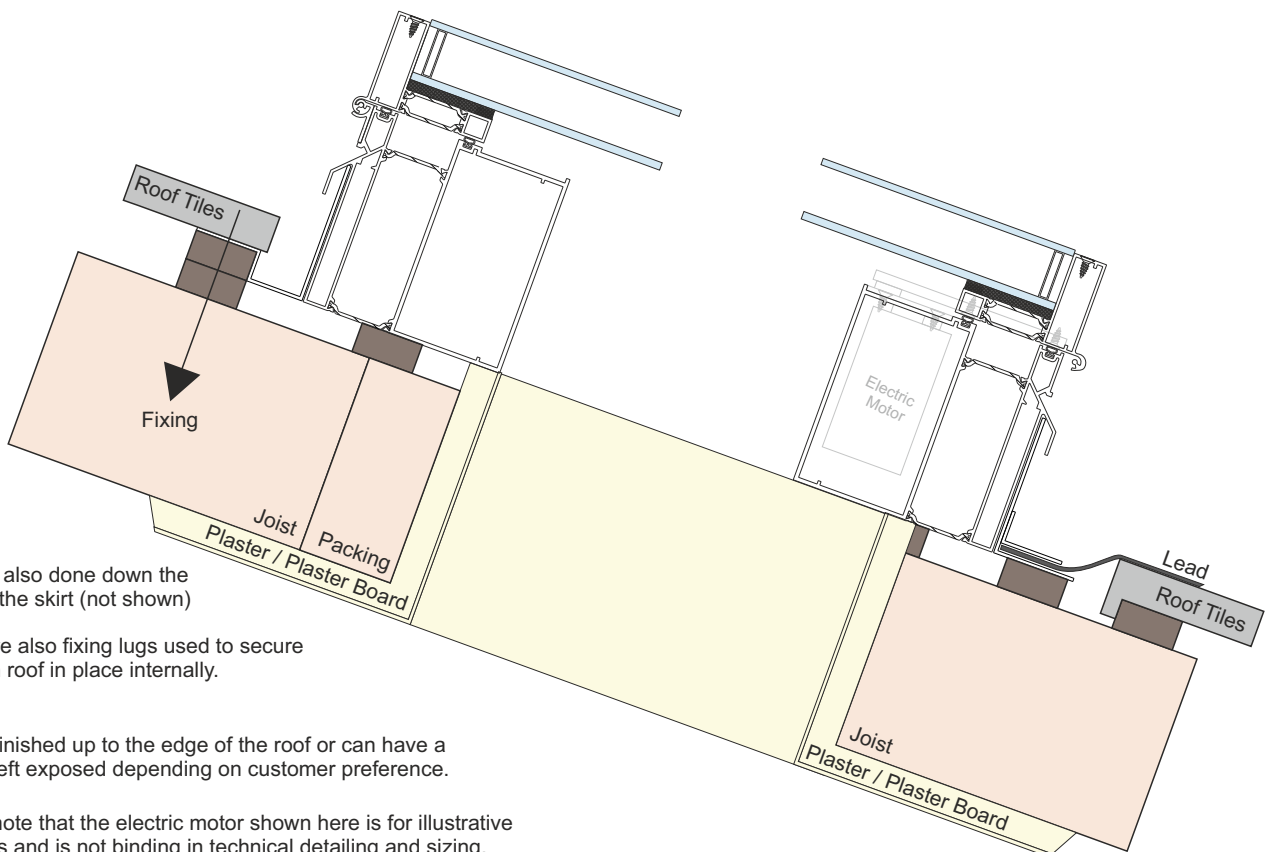


Fixing is also done down the sides of the skirt (not shown)

There are also fixing lugs used to secure the main roof in place internally.

Please note that the manual opener shown here is for illustrative purposes and is not binding in technical detailing and sizing.

Pitched Electric Opener



Fixing is also done down the sides of the skirt (not shown)

There are also fixing lugs used to secure the main roof in place internally.

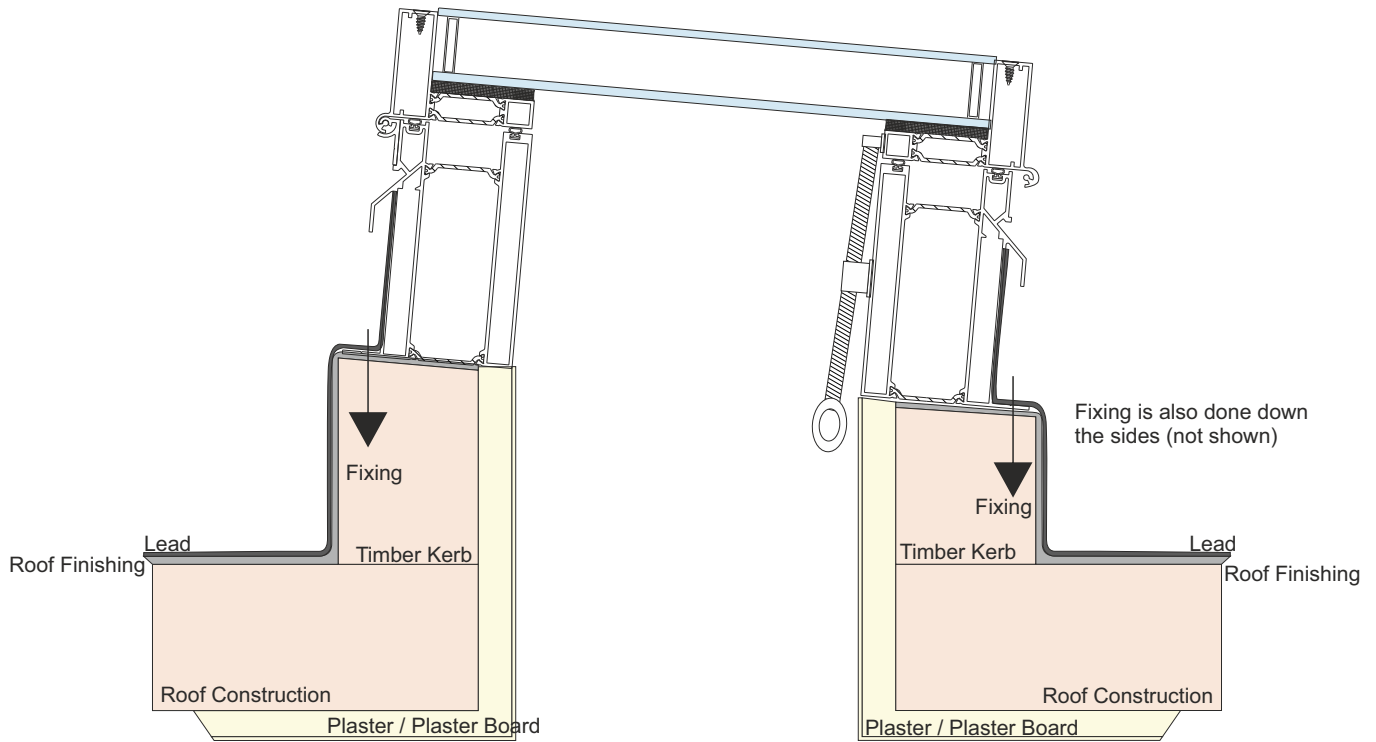
Can be finished up to the edge of the roof or can have a section left exposed depending on customer preference.

Please note that the electric motor shown here is for illustrative purposes and is not binding in technical detailing and sizing.

Finishing Example

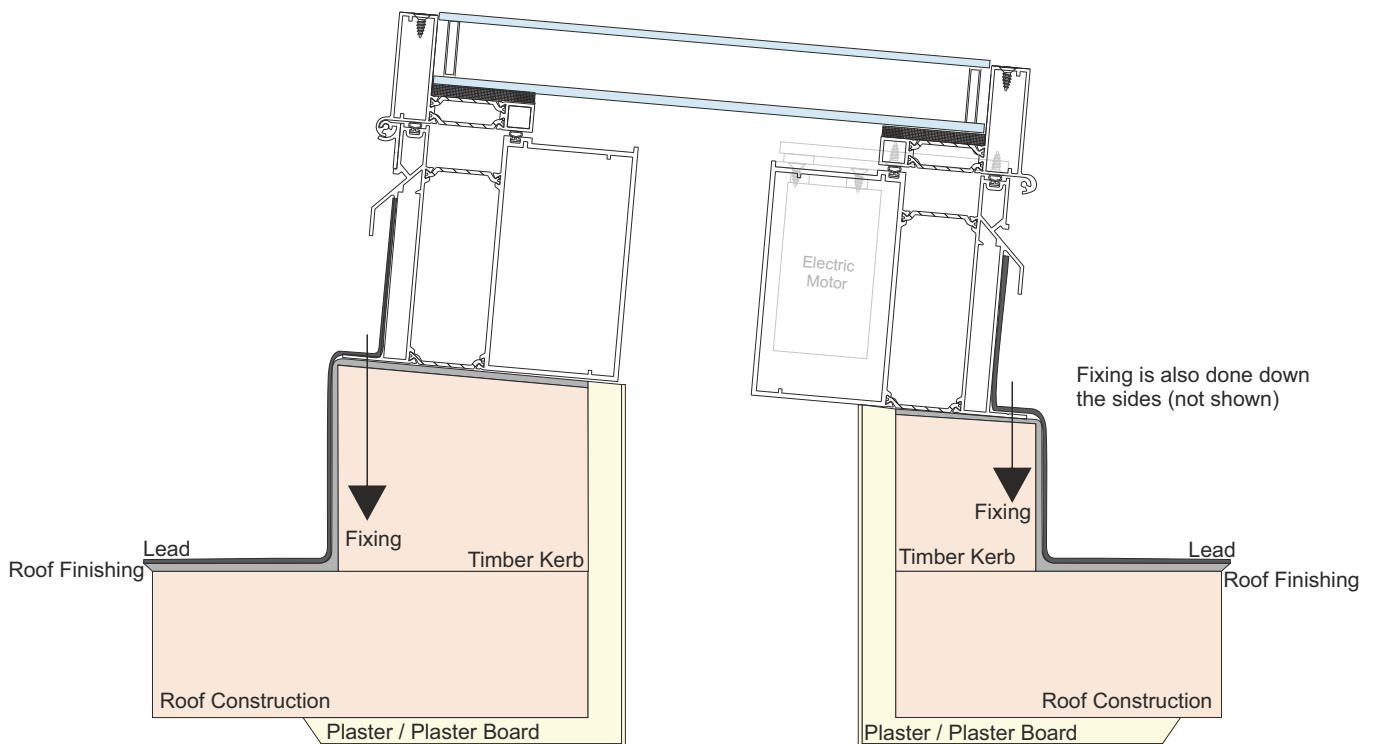
Below is only an example of the finishing.
All finishing is supplied by others.
Please consult your installer or roofer.

Flat Manual Opener



Please note that the manual opener shown here is for illustrative purposes and is not binding in technical detailing and sizing.

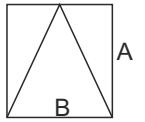
Flat Electric Opener



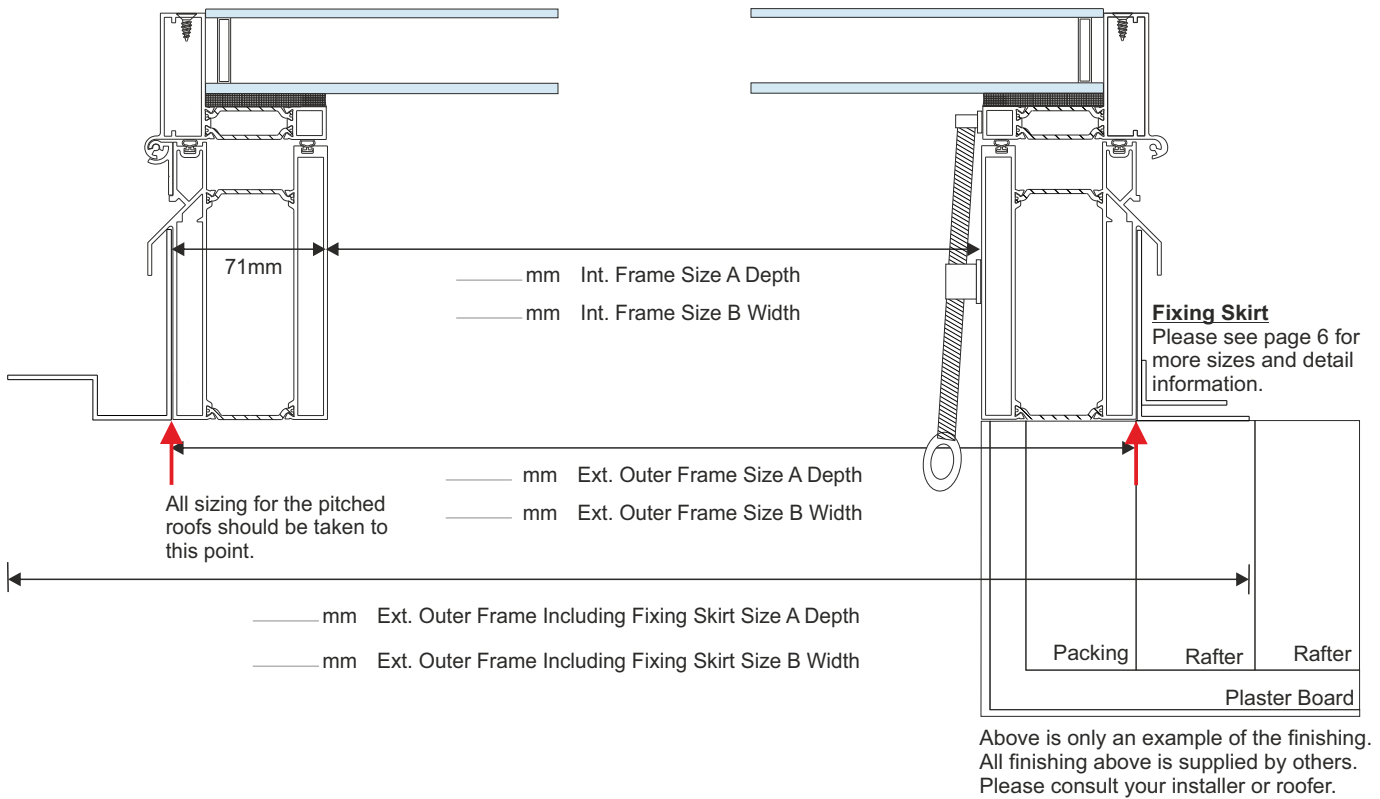
Please note that the electric motor shown here is for illustrative purposes and is not binding in technical detailing and sizing.

Can be finished up to the edge of the roof or can have a section left exposed depending on customer preference.

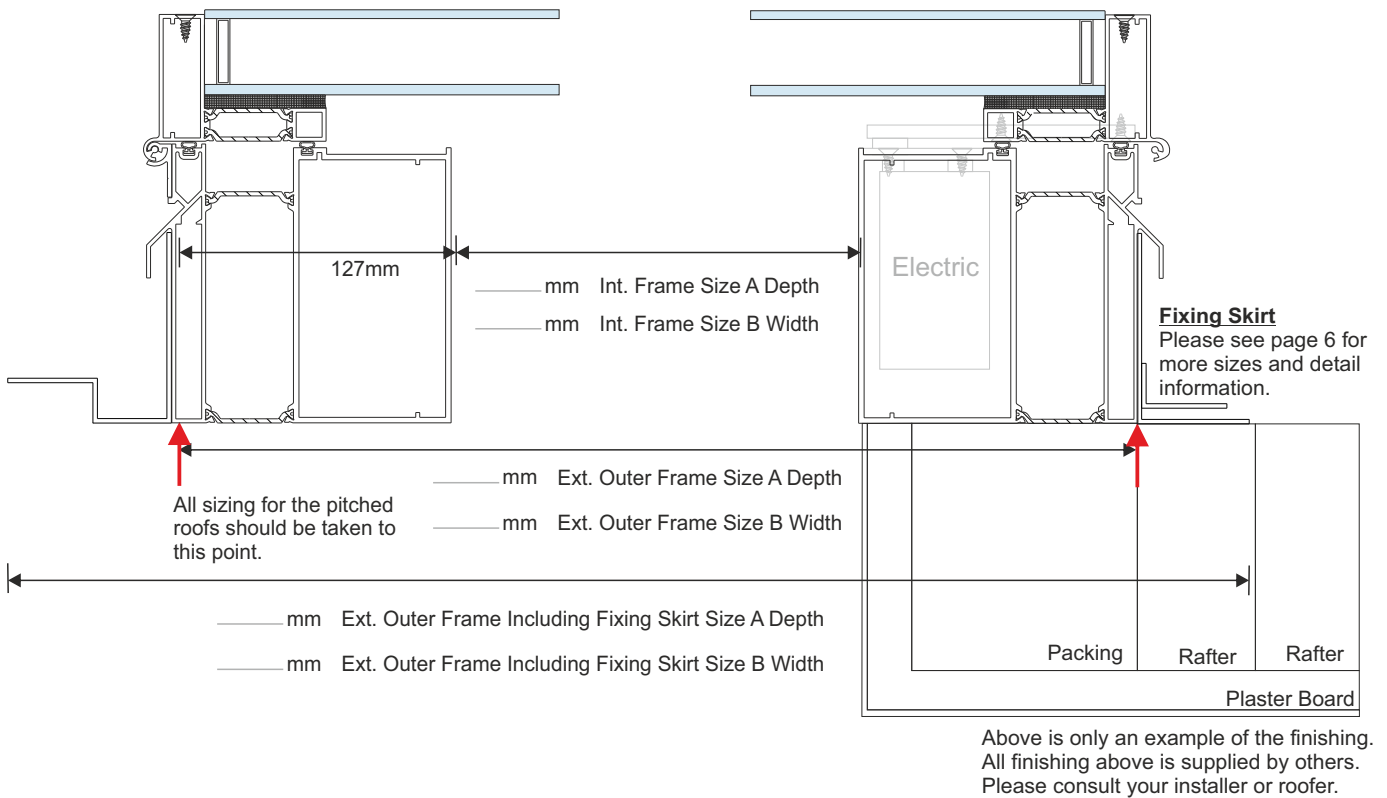
Sizing



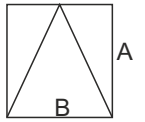
Pitched - Manual Opener



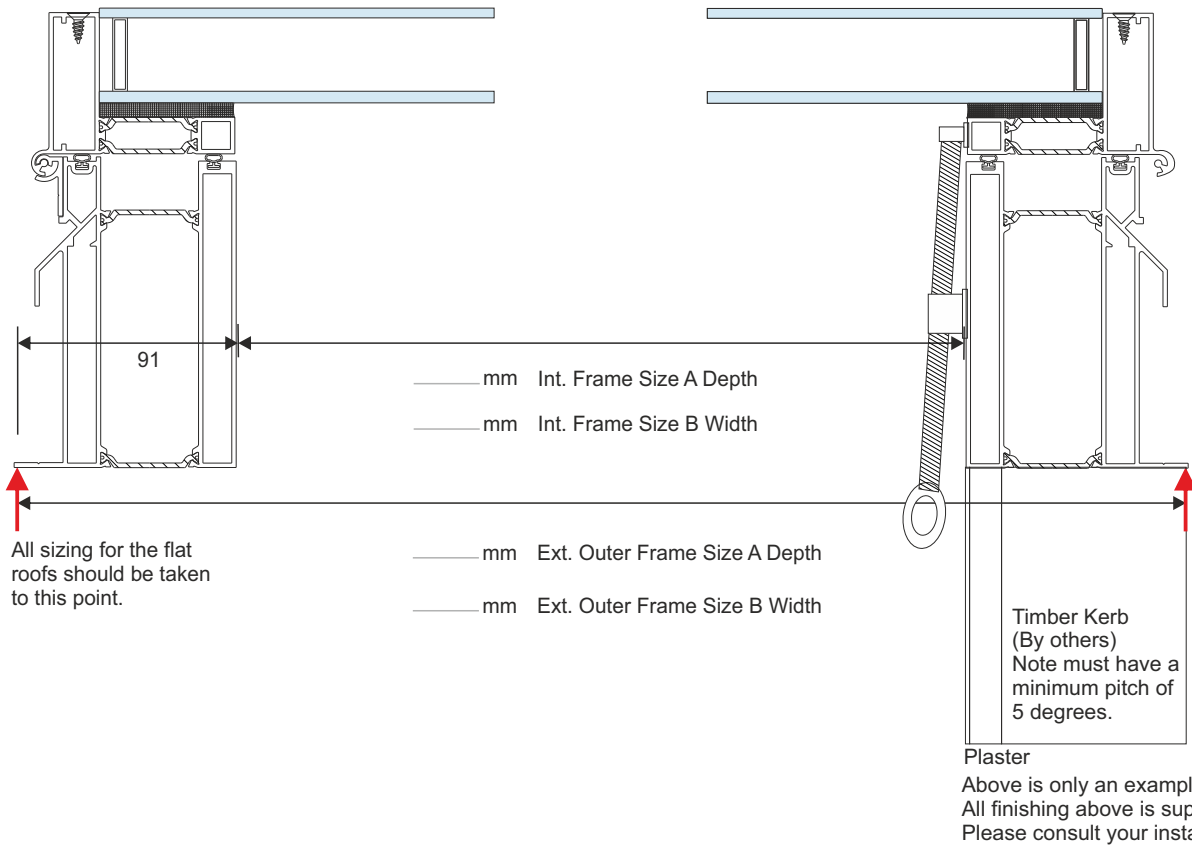
Pitched - Electric Opener



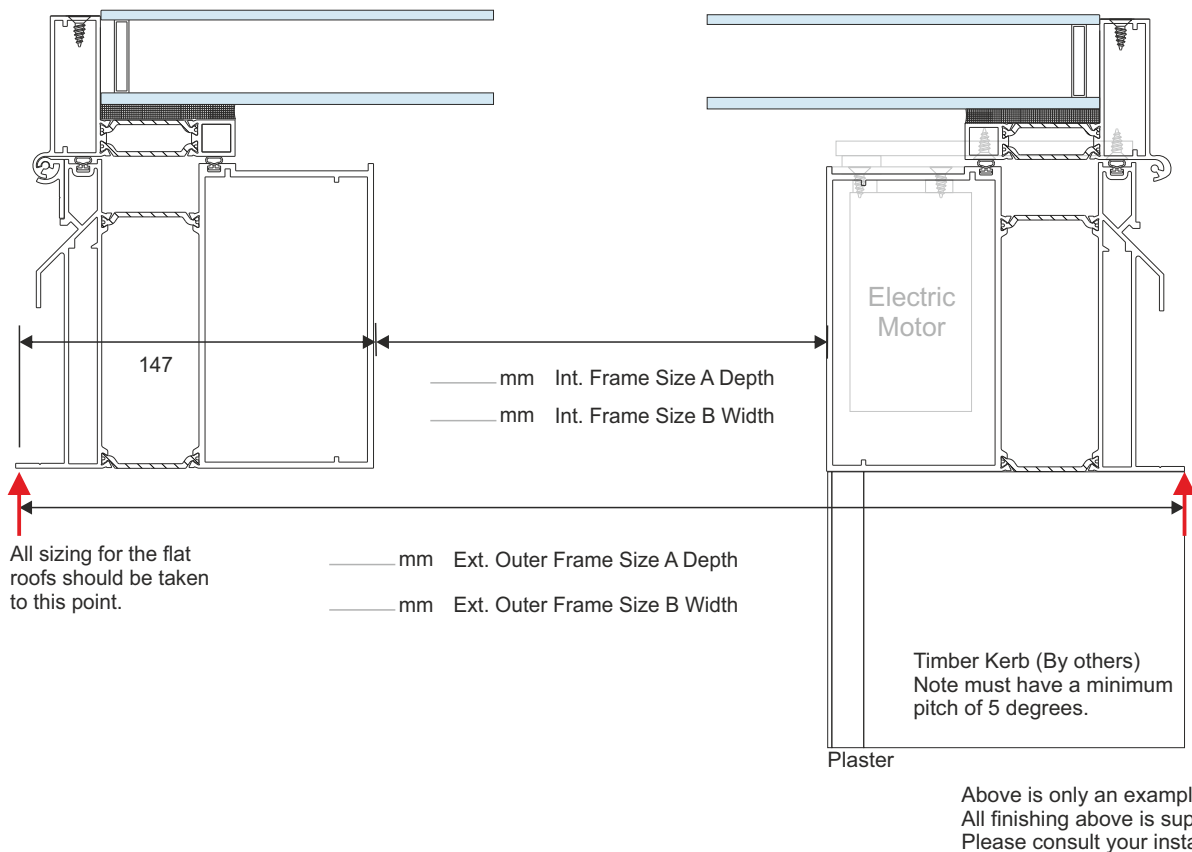
Sizing



Flat - Manual Opener



Flat - Electric Opener



Main Office & Factory

Units 4-5, t: 01268 681612 (20 lines)
Charfleets Road, f: 01268 510058
Canvey Island, e: sales@duration.co.uk
Essex. SS8 0PQ w: www.duration.co.uk

Product Showroom

Unit 1 Casino Parade, t: 01268 695100
Eastern Esplanade,
Canvey Island, SatNav Directions
Essex. SS8 7FJ Use: SS8 7DN.